



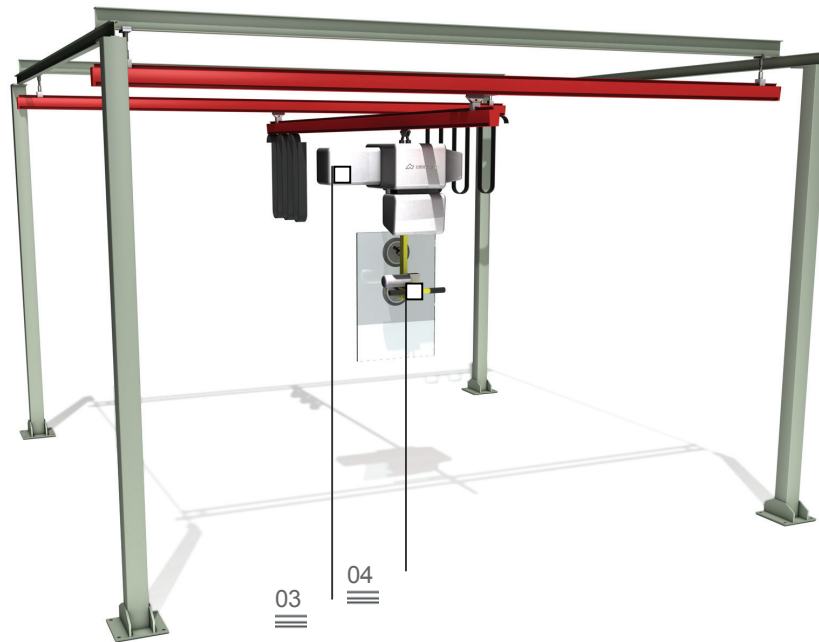
Work area 01



Extended work area 02

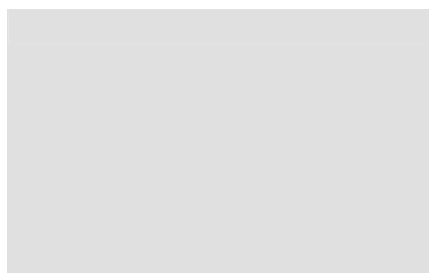
## Cover

Glass manipulator

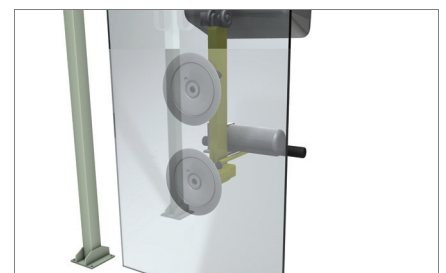


Two-axis Cartesian manipulator. A suction cup system and hoist with a load capacity of up to 200 / 500 kg provide motion in two directions across an area of 6000 x 6000 mm.

Hoist 03



Product gripping 04



# Cover

## Glass manipulator

### 01

#### Work area

The work surface covered by the manipulator is determined by the length of the supports, which enable all points of the work area to be reached through their combined movement.  
The supports with their slideways cover a total surface area of 6000 x 6000 mm.

### 02

#### Extended work area

The Cover product has a modular structure that enables it to adapt flexibly to material handling needs. The work area of this manipulator, appropriately configured with an additional module, can be extended to cover an additional area of 6000 x 6000 mm.

### 03

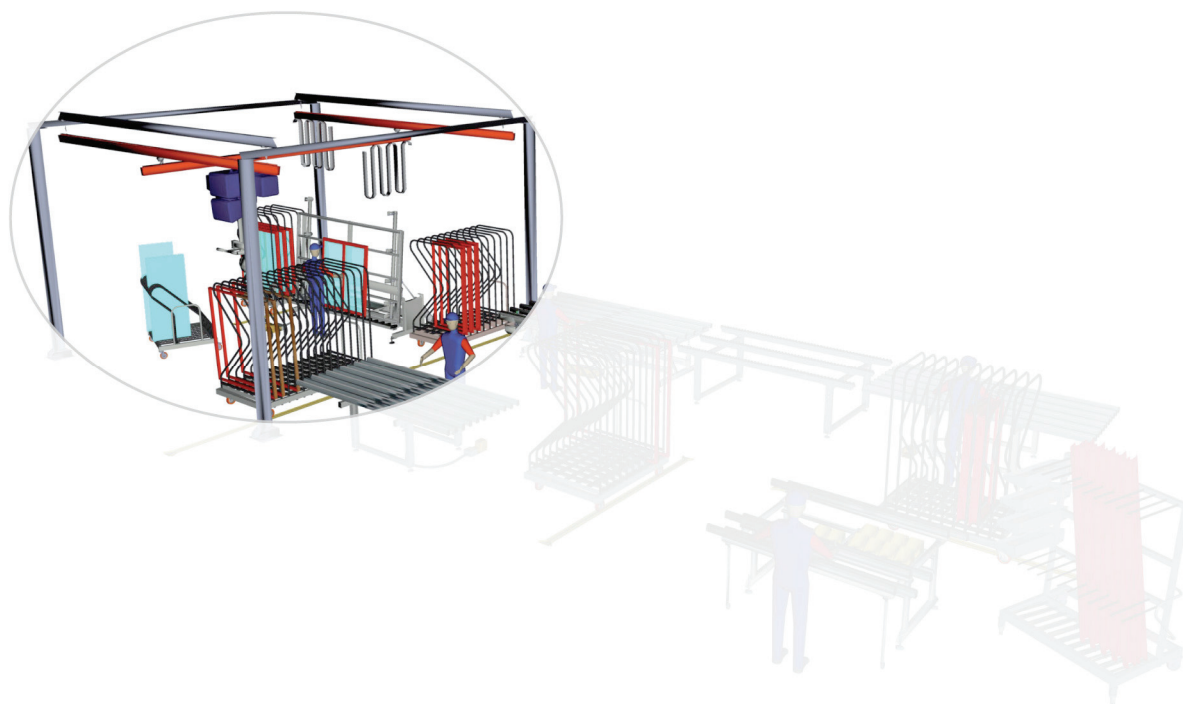
#### Hoist

The hoist, which is available in two versions, has a load capacity of up to 200 kg or 500 kg, thus enabling a wide range of glazing to be handled.

### 04

#### Product gripping

The product is gripped and released under conditions of absolute safety due to the suction cups controlled by a highly efficient vacuum system.



#### CHARACTERISTICS

Dimensions (length x width x height) (mm)	6.220 x 6.220 x 4.270
Work area (mm)	6.000 x 6.000
Extended work area with additional module (mm)	12.000 x 6.000
Maximum lifting height (mm)	2.800
Suction cups for lifting glazing	2
Hoist load capacity (Kg)	200 / 500
Weight (kg)	912