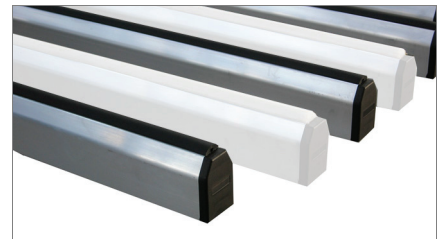
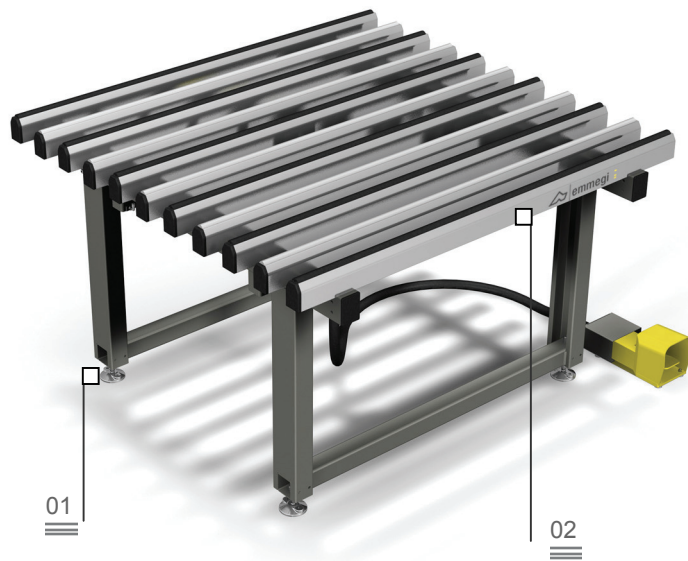


Adjustable feet 01

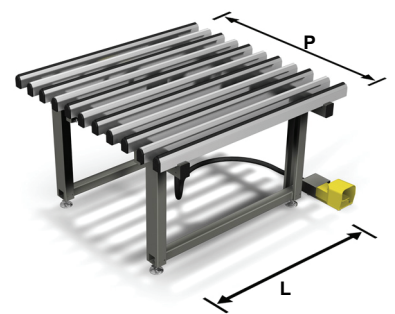


Anti-slip PVC contact surfaces 02

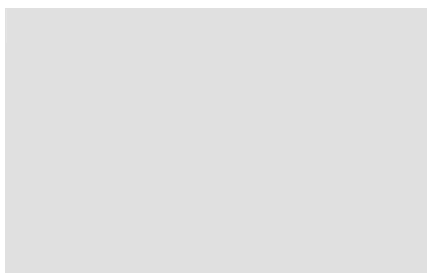
**Fit**  
Assembly bench



Sash and casement assembly bench. Horizontal bench with pneumatic exchange between the soft PVC resting surface (for assembly operations) and the anti-friction hard PVC resting surface (for handling operations). The work table height is adjustable from 895 to 965 mm and the mounting feet are complete with holes for floor anchoring.



Hard anti friction PVC contact surface 03



Pneumatic surface changeover 04



# Fit

## Assembly bench

### 01

#### Adjustable feet

Height-adjustable feet ensure that the work table can be set at the desired height, perfectly flush with the other products in the Dynamic Line. They also have holes for anchoring them to the floor.

### 02

#### Soft anti-slip PVC contact surfaces

The contact surfaces are coated with soft anti-slip PVC which ensures that the frame is supported securely when it is put into position.

### 03

#### Hard anti-friction PVC contact surface

The hard anti friction PVC contact surface ensures smooth movement and easy handling.

### 04

#### Pneumatic surface changeover

An air cylinder system controls changeover by moving the polyethylene contact surface above the PVC contact surface.



#### TECHNICAL CHARACTERISTICS

Variable length depending on model (mm)	1400 – 2000 – 2500 – 3000
Depth (mm)	1380
Max. load (Kg)	240
Work table height (mm)	895 ÷ 965