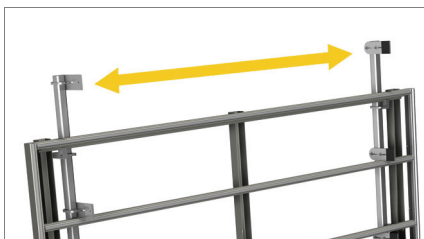




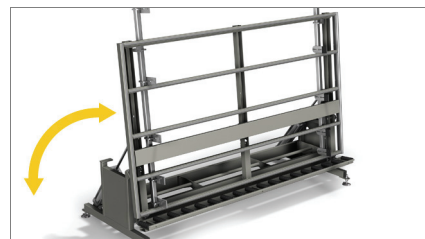
emmegi

A Aluminium  
S Steel  
P Pvc

en #1



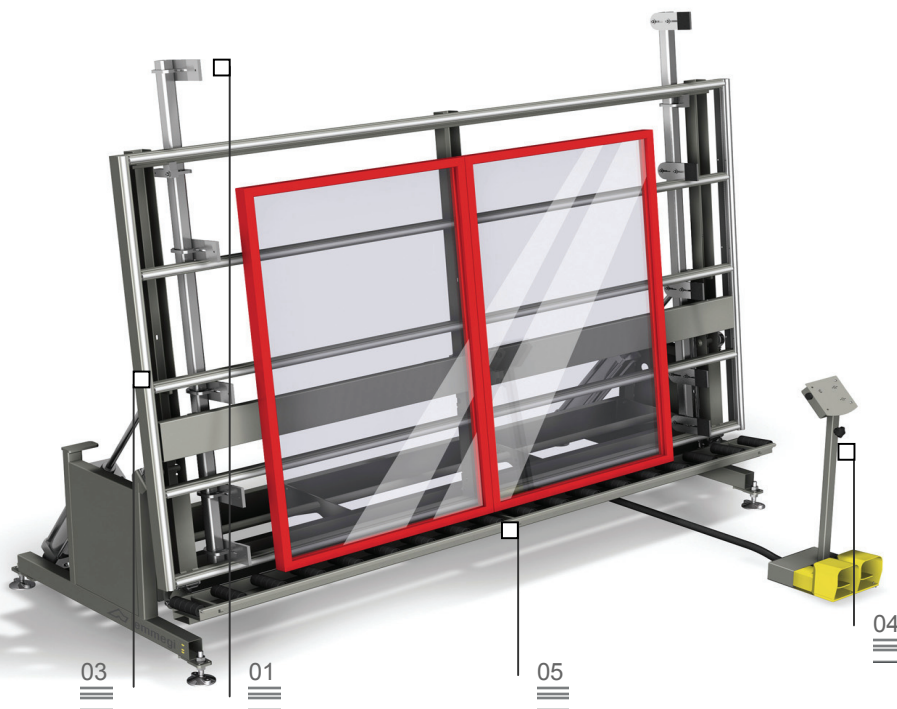
Clamping frame 01



Tilting work table 02

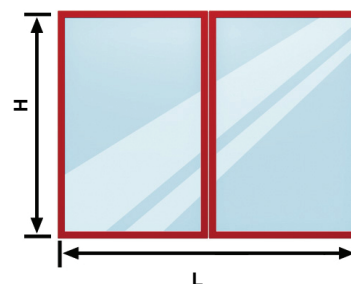
## Five CS

Assembly, glazing and testing station



A correct flow of materials, whether semi-finished or finished products, or parts in the assembly phase, plays an important role in rationalizing and optimizing the production cycle. The EMMEGI Logistics line offers companies a concrete solution to all storage, handling and assembly problems.

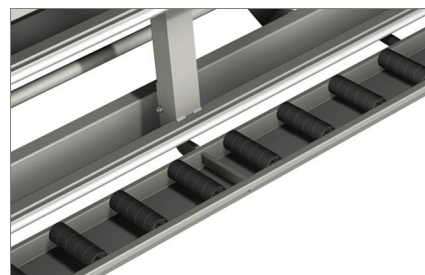
Five CS is a station for testing aluminium doors and windows. The door or window is tested by simulating its conditions of use: the frame is held in position by a set of adjustable clamps along the full height of the door or window, the sashes are placed inside the frame, followed by the glazing and final testing. The roller conveyor enables the operator to load and unload heavy doors and windows on his own.



Hard anti-friction PVC contact surface 03

Control and foot switches 04

Roller conveyor 05



# Five CS

Assembly, glazing and testing station

## 01 Clamping frame

The frame clamping system is self-centring in that it has a rack which ensures exact parallelism and uniform pressure by means of air cylinders.

## 02 Tilting work table

The work table can be swung with fully pneumatic movement. Using the foot switch control it can be tilted from 0° (horizontal position) to 85°.

## 03 Hard anti-friction PVC contact surface

The polyethylene contact surface ensures smooth movement of the frame and easy handling.

## 04 Control and foot switches

A central console houses the dual manual control for clamping/unclamping the frame. In addition, there are two foot switches for tilting the table and activating the horizontal roller conveyor.

## 05 Roller conveyor

A pneumatic tilting roller conveyor, made up of rollers mounted on a rod, may be used to move the frame horizontally, ensuring smooth movement and easy handling.



### TECHNICAL CHARACTERISTICS

Hard anti-friction PVC contact surfaces

Adjustable work table height (mm)

875 + 925

Work table tilting angle adjustable from 0° (horizontal) to 12°

Adjustable clamping force (max) (N)

660

Clamping frame opening L (mm)

425 + 2425

Height of vanes on clamp (max) (mm)

65

Clamping frame bars high with 5 adjustable vanes on both bars H (mm)

H 2060

Gripping system with central clamping frame and drop-away bars

Pneumatic tilting of the roller conveyor with the table horizontal

Loading/unloading roller conveyor with adjustable height above floor (mm)

305 + 355

Length (mm)

3000