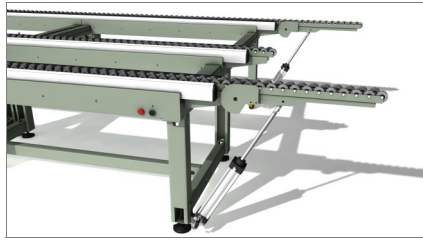




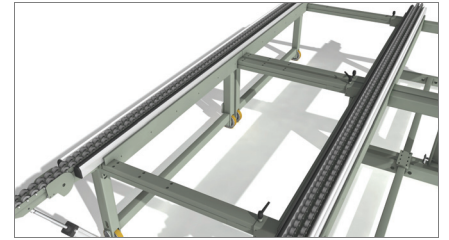
emmegi

A  
Aluminium  
S  
Steel  
P  
Pvc

en #1



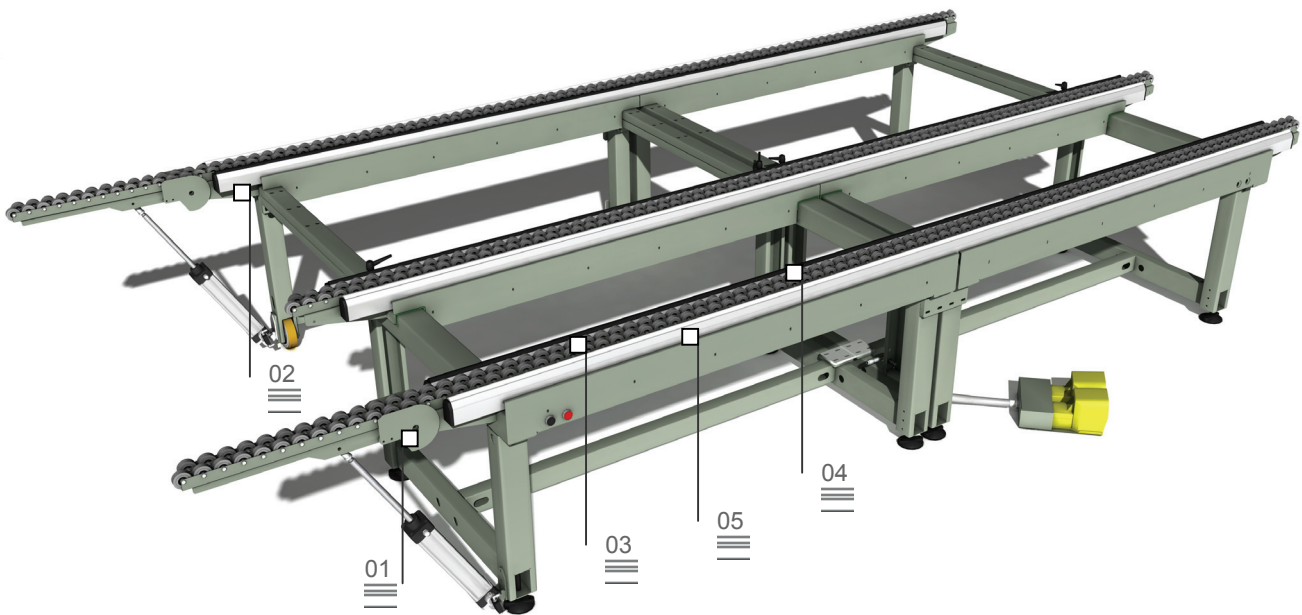
Drop-away roller conveyor 01



Extension 02

## Module Bench

Assembly bench

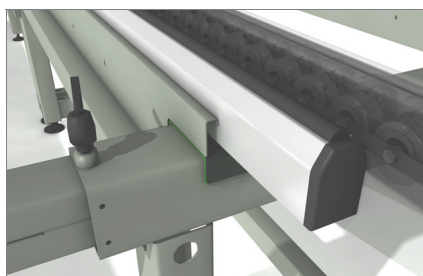
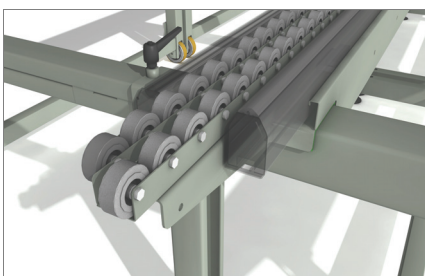


Large size and extendible modular bench for assembling of windows and curtain wall frames. It features 3 distinct work tables: one of soft PVC for assembly operations, one of anti-friction hard PVC for the rotation and a roller conveyor for in-line movements.

Roller conveyor 03

Soft anti-slip PVC work surface 04

Hard anti-friction PVC work surface 05



# Module Bench

Assembly bench

## 01

### Drop-away roller conveyor

Push-button operated, the drop-away roller conveyor allows you to set the bench into the production line; moreover it can be dropped-away so that it does not interfere with the operator's movement during assembly operations.

## 02

### Extension

Module Bench can be extended from 1,300 mm to 2,500 mm. It has a tightening lever that allows you to set it in any position, thus making this bench highly versatile. Moreover, the central support can be positioned manually for processing small frames.

## 03

### Roller conveyor

The roller conveyor lets you transfer the workpiece along the assembly line with little effort by the operator.

## 04

### Soft anti-slip PVC work surface

The work surface of soft PVC ensures a high coefficient of friction during assembly.

## 05

### Hard anti-friction PVC work surface

The polyethylene work surface ensures a low coefficient of friction during rotation of the workpiece.

#### WORK SURFACES

Drop-away roller conveyor, right or left	•
Soft anti-slip PVC work surface - length (mm)	4.000
Hard anti-friction PVC work surface - length (mm)	4.000
Roller conveyor - length (mm)	4.000
Overall length of fully raised roller conveyor (mm)	4.600
Drop-away roller conveyor - length (mm)	600

#### CHARACTERISTICS

Extension in width (mm) with moveable central support (mm)	1.300 ÷ 2.500
Height (mm)	900
Air consumption (NI/min)	50
Weight (kg)	550