

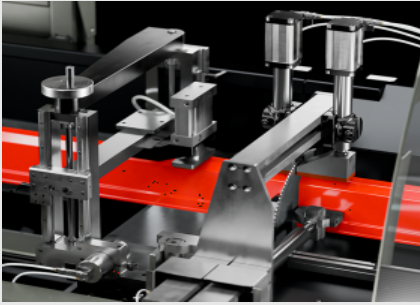


Automatica ER

Single head cutting-off
machines

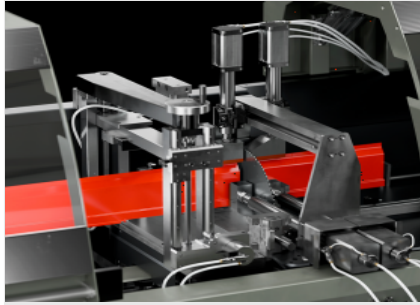


Automatic single-head cutting-off machine with upstroke movement for 90° cuts, fitted with N/C electric bar feeding system. Can be configured with four different diameter blades, N/C electric blade feed. The machine can be configured to use blades with two different diameters. The setup requires a very simple operation, after which the software automatically prepares for the correct setting appropriate to the installed blade. For cutting needs requiring a perfect finish, it features, as an optional, a pneumatic system for the automatic separation of the cut piece, which avoids the presence of traces -commonly left by the blade when it moves back - in machines that use this cutting mode. It can also be configured with an inverter to change the blade rotation speed, adapting it to the profile to be cut. It can be equipped with a large automatic bar loading magazine; an unloading magazine with conveyor belt for extraction of cut workpieces and accumulation bench; customisable drilling and milling units for specific needs. Thanks to its wide range of accessories, this machine can be configured as a real fully automatic cutting-off centre capable, in addition, of performing drilling and milling machining thanks to specific customised units.



Feeder with bridge vices

Bar feed system obtained through the use of a controlled axis ensuring, through the use of a recirculating ball screw, high positioning accuracy. It can be set from the PC on board the machine.



Cutting zone with bridge vices

To enable maximum utilization of the large cutting capacity, which ensures the machinability of large profiles, the cutting zone features a sturdy structure designed to ensure maximum precision. This is with regard to both the horizontal plane and the vertical square.



Orientable vices (Optional)

Optionally, both bridge vices can be equipped with adjustable hold-down devices, with adjustable pressure angle. This is an accessory that enables the proper clamping and cutting of profiles with irregular geometry, ensuring maximum rigidity and the maintenance of precision, a distinctive feature of the machine itself. The use of this system is also characterised by simplicity and quick set-up.



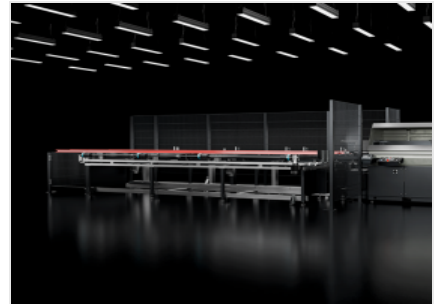
Sliding protections

Integral work area protection ensures maximum safety during cutting cycles. It consists of two separate protective covers, one for the workpiece clamping and transport area and one for the clamping, cutting and separation area. The two covers have a large scratch-resistant polycarbonate window to follow the machining in full brightness and visibility.



Control

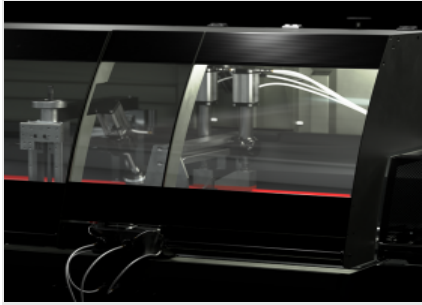
The control area features a control console equipped with a PLC with an integrated 7" colour TFT graphical display and fully customised, feature-rich software designed specifically for this machine. Single cuts or cuts from list can be programmed locally through the PLC. Using connection via USB port or LAN connection, programmed lists can be used remotely.



Automatic bar loading magazine (Optional)

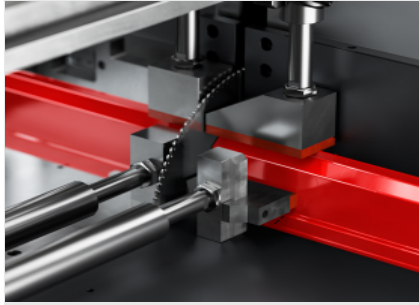
The loading magazine is equipped with an automatic belt-driven translation system with sensor-regulated step-by-step accumulation operation. It allows loading profiles with length up to 6 m and continuous machining, reducing the cycle time eliminating the loading phase that occurs in concurrent operation time.





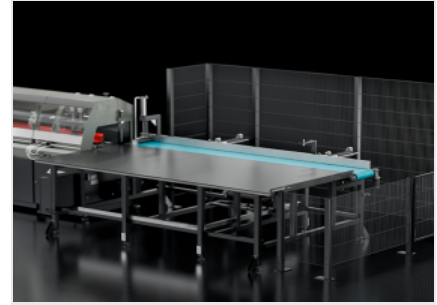
Work area lighting (Optional)

The machine can be optionally equipped with lamps integrated in the protection cab for proper lighting of the cutting area. This allows achieving perfect work area visibility during all machine usage phases, even in environments with poor lighting.



Second blade management (Optional)

The machine can be configured to use interchangeable blades with two different diameters. The tooling simply requires quick assembly of the second blade; the software detects blade changeover and automatically prepares for the correct setting of the different feeding stroke and possible different blade thickness.



Automatic unloading unit (Optional)

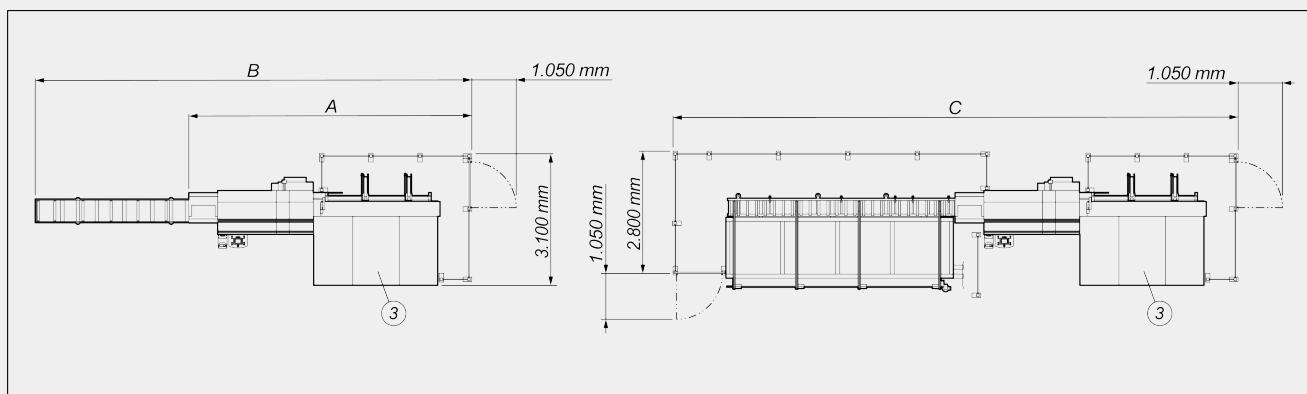
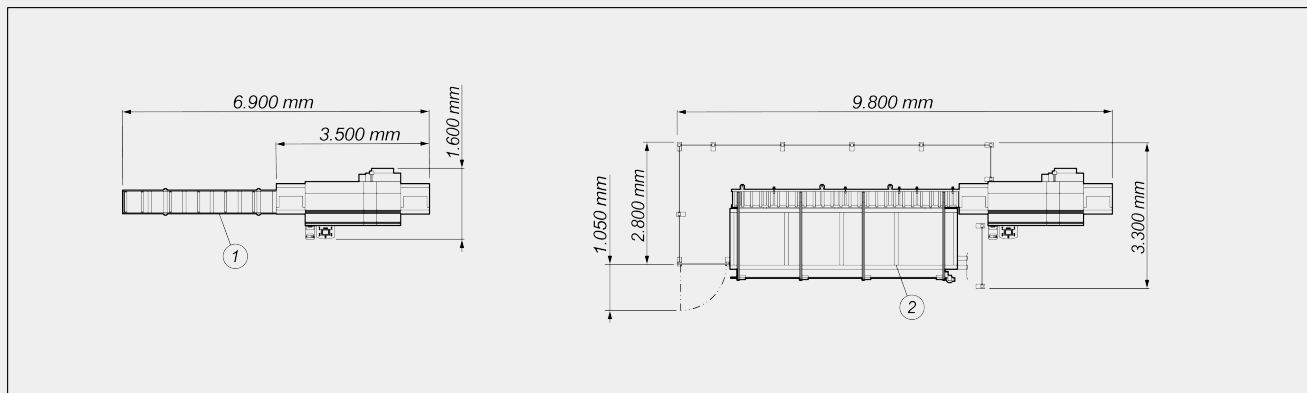
The unloading unit is equipped with a conveyor belt for extraction of the cut workpiece and a translation system to automatically move it from the conveyor belt to the accumulation surface. The unit allows unloading workpieces with length up to 2.5 m or 3.2 m (depending on the version) on a surface with a depth of 1.5 m.





AUTOMATICA ER / SINGLE HEAD CUTTING-OFF MACHINES

LAYOUT



The overall dimensions may vary depending on the product configuration.

- 1. Infeed roller conveyor (optional)
- 2. Automatic bar loading magazine (optional)
- 3. Automatic unloading unit (optional)

	A	B	C
Automatica ER - Unloading unit 2,5 m (mm)	6.400	9.800	12.700
Automatica ER - Unloading unit 3,2 m (mm)	7.000	10.500	13.300

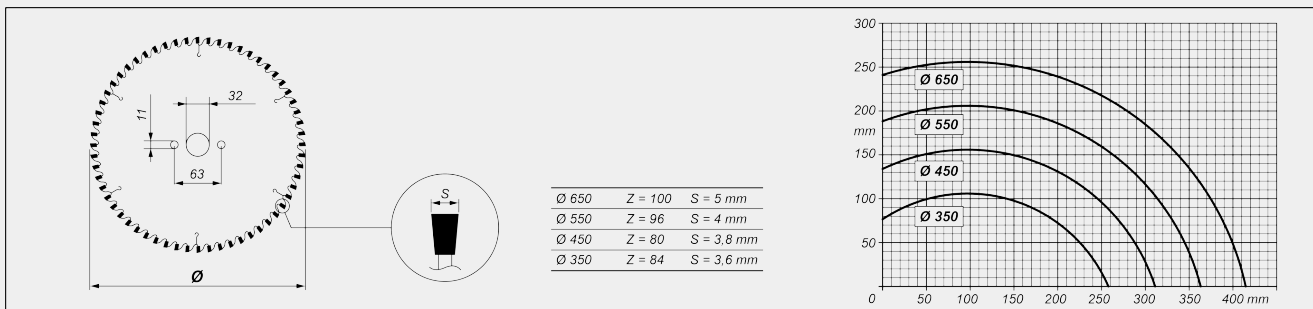


MACHINE CHARACTERISTICS

Electronic control of the X axis	<input checked="" type="checkbox"/>
X axis stroke (mm)	1.000
Blade diameter (mm)	650 ; 550 ; 450 ; 350
Second blade management (**)	<input type="checkbox"/>
Widia blade	<input checked="" type="checkbox"/>
X axis positioning speed (m/min)	20
Bar minimum length (remaining bar) (mm)	110
Absolute encoder positioning	<input checked="" type="checkbox"/>
Y axis electronic control (blade feed)	<input checked="" type="checkbox"/>
Separating system for cut workpiece	<input type="checkbox"/>
Automatic bar loading magazine	<input type="checkbox"/>
Drilling unit	<input type="checkbox"/>
Work area lighting	<input type="checkbox"/>

(**) Available for models with Ø 650 and Ø 550 mm blade. It is possible to configure only a second blade with a diameter smaller than the main one

CUTTING DIAGRAM



BLADE MOTOR

Three-phase brakemotor	<input checked="" type="checkbox"/>
Power rating (kW), three-phase drive motor	5,5
Motor with inverter (optional) (kW)	9,6
Brake intervention time (s)	10
Peripheral speed of 50Hz (m/s)	Ø650 - 77 ; Ø550 - 83 ; Ø450 - 68 ; Ø350 - 53



SAFETY DEVICES AND PROTECTIONS

Manually controlled complete sliding guard

LUBRICATION AND SUCTION

Minimal oil diffusion lubrication system

Preparation for automatic start-up of external exhauster

Group of 4 positionable blowers with magnetic support for work surface cleaning

PROFILE POSITIONING AND CLAMPING

Bridge structure in cutting area with two pairs of vertical and horizontal vices with pressure reducer equipped with a pressure gauge

Bridge structure in feeder area with two pairs of vertical and horizontal vices with pressure reducer equipped with a pressure gauge

Feeder and cutting area adjustable bridge vices

AUTOMATIC BAR LOADING MAGAZINE (OPTIONAL) (*)

Motorised roller infeed roller conveyor

Belt loading magazine with 4 arms with adjustable distance

UNLOADING UNIT (OPTIONAL)

Conveyor belt for extraction of cut pieces

Pneumatic lateral pusher for shifting on the storage table

Max length automatically downloadable on the storage table - according to version (mm) 2.500 ; 3.200

Table depth (mm) 1.500

Full guard with vertical opening pneumatically operated

Included Available