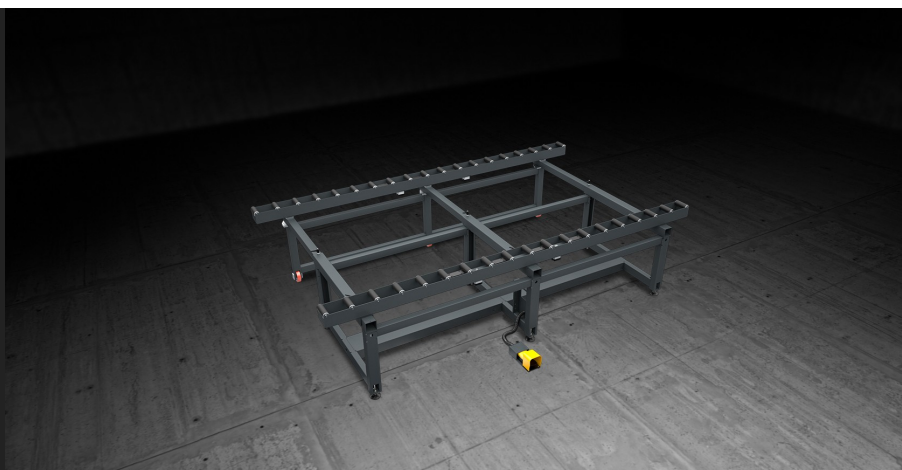




## **ROLL BENCH**

Manual assembly benches



Large size modular bench for assembly and in-line handling of curtain wall frames. It is provided with two roller tracks covered with soft PVC sheathing; the distance between the two tracks is adjustable according to the width of the curtain wall section. A pneumatically operated system allows clamping the rollers during the work phases.



### Extension

ROLL BENCH can be extended from both sides bringing the footprint from 1,460 mm to 2,500 mm maximum opening (roller conveyor opening varies from 500 mm to 2,500 mm). Once the position of the rows has been determined, a number of locking handles allow the roller conveyor to be fixed in place, providing great versatility.



### Adjustable feet

Height adjustable feet to ensure the work bench can be positioned at the required height and perfectly flush with the other products in the Dynamic Line. The feet also have holes so they can be anchored to the floor.



### Footswitch

The footswitch allows the rollers to be locked so that the façade cell can be machined in complete safety. Through the subsequent release command, the cell can be moved, taking full advantage of the smoothness of the roller.



### Roller bench

Façade cells are supported on 160mm-wide roller rows covered with a soft PVC sheath, thus minimizing the strain on the operator.





**ROLL BENCH / MANUAL ASSEMBLY BENCHES**

**WORK BENCHES**

Roller bench length (mm)	4.000
Roller bench min. width (mm)	500
Roller bench max. width (mm)	2.500

**CHARACTERISTICS**

Pneumatic roller locking system	●
Roller bench extendible in width	●
Adjustable roller conveyor spacing (mm)	500 ÷ 2.500
Height (mm)	940 ÷ 1.000
Air consumption (NI/min)	3,5
Load capacity (kg)	600
Weight (kg)	400

Included ● Available ○