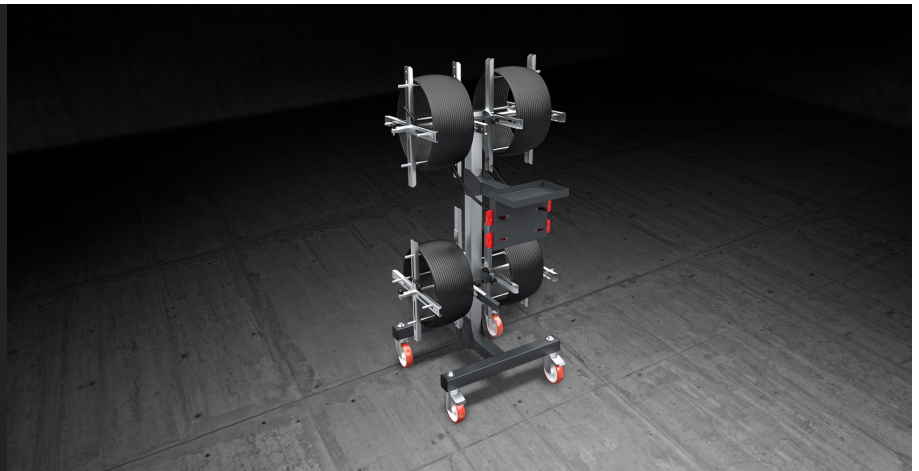




SPIN 4

Professional trolleys



Gasket trolley. Reel with brake and gasket-guide ensure troublefree gasket unwinding. It is equipped with a quick gasket roll change system.



Reel holder

A system of adjustable and extendable reel holders allows adaptation to the various sizes and types of reels that will be housed.



Reel locking clutch

The reel with clutch counteracts the unwinding phase without the possibility of running into mishaps.



Pivoting wheels

Equipped with 2 fixed wheels and 2 pivoting wheels with brake, which ensure a high degree of mobility and object handling ease. Locking the braking units allows their position to be fixed near different work areas.

**SPIN 4 / PROFESSIONAL TROLLEYS****CHARACTERISTICS**

Minimum coil reel diameter (mm)	110
Maximum reel diameter (mm)	720
Maximum reels width (mm)	250
Reel rotation clutch	●
Number of removable reels (according to model)	4
Fixture locking device complete with clutch	●
4 swivel casters, 2 of which have locking stops (mm)	Ø=125
Length (mm)	825
Width (mm)	970
Height (mm)	1.520
Load capacity (kg)	60
Weight (kg)	44

Included ● Available ○